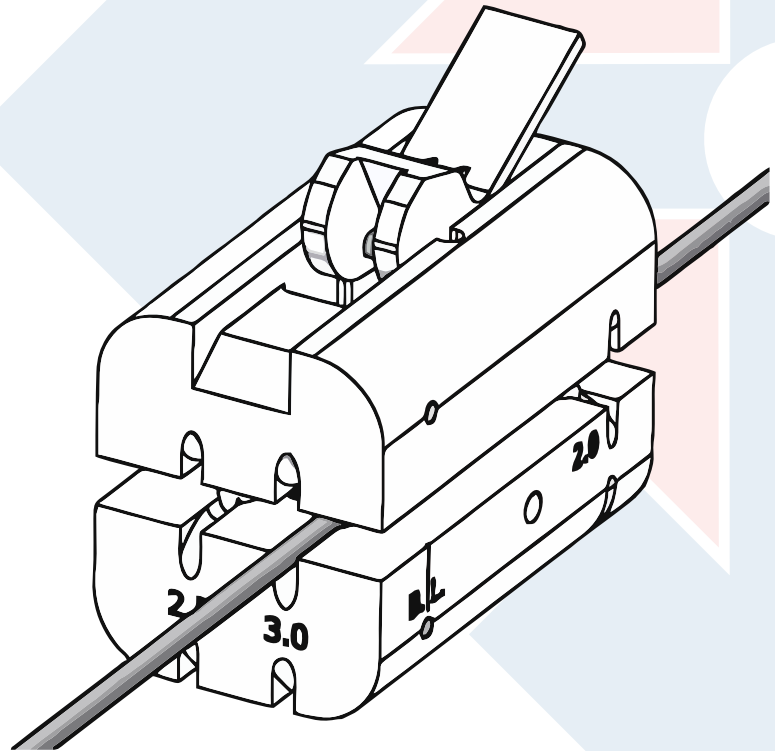


# TRAZADORA DE TUBO HOLGADO MSAT



- Quickly and easily access fibers in 2, 2.5 and 3mm buffer tubes in a mid-span location without fiber damage.
- All blades precisely factory mounted in tube slitting channels with no adjustment required by the installer
- Tool design incorporates buffer tube size gages on the tool body for ease of selecting proper tube slitting channel.
- Convenient spring loaded lever opens and closes the tool and lever becomes flush with the top of the tool body when closed.
- For use with the following diameter buffer tubes:  
 2.0mm 1.8-2.2 mm (0.071"- 0.086")  
 2.5mm 2.3-2.8 mm (0.090"-0.110")  
 3.0mm 2.8-3.2 mm (0.110"- 0.126")
- Replacement Blade: Part No: 80794 includes 1 blade set (2 each) and 1/16" Allen wrench.
- Same Blade Part Number for all three tool channels.
- Length: 63.5mm
- Weight: 226.7g



CATALOGO	DESCRIPCIÓN
MSAT	Trazadora de tubo holgado de 2, 2.5 and 3.00 mm
MSATR	Navaja de repuesto



**LA FERRETERA DE LAS TELECOMUNICACIONES®**  
 Tel. (55)5243-6900, del interior 800-INCOM-00  
 telemarketing@incom.mx, www.incom.mx

COTAS EN:

PESO APROX:

ÚLTIMA ACTUALIZACIÓN:

2011/01/13

COMENTARIOS: