

EZ-RJ45® Cat 5e Plug and Crimp Tool

APPLICATION

Leviton EZ-RJ45 Plug and EZ-RJ45 Crimp Tool support quick, cost-effective UTP wire terminations. The connectors feature openings that allow wires to be inserted and extended out the front to provide increased performance, wire-sequence verification, and no wasted connectors, crimps, or bad terminations. Plugs exceed Category 5e standards when terminated using the Leviton high-quality EZ-RJ45 Crimp Tool.

The crimp tool features a built-in cutter and stripper that crimps and cuts wires in one operation. It accommodates EZ-RJ45 Plugs, and most standard RJ-45 and RJ-11 connectors. This craft-friendly tool features precision ground crimp dies, a full-cycle ratcheting mechanism, and steel construction for strength and durability.

EZ-RJ45 Cat 5e Plug



SPECIFICATION

The EZ-RJ45 Plug shall meet ANSI/TIA-1096-A and Category 5e requirements (when used with the Leviton EZ-RJ45 Crimp Tool). It shall be constructed with phosphor bronze contacts and a polycarbonate body. It shall allow UTP wires to extend through the body and out the front to verify wire sequence prior to termination. The manufacturer shall provide a one-year limited product warranty.

FEATURES

- Clear housing for easy wire-sequence verification
- Crimp Tool crimps and cuts wires in one operation.

DESIGN CONSIDERATIONS

- Exceeds Category 5e performance requirements
- Insert/extraction life: 1000 cycles
- Terminates solid and stranded cable

STANDARDS COMPLIANCE

- ANSI/TIA-1096-A (formerly FCC part 68)

PHYSICAL SPECIFICATIONS

Dimensions: See page two

Materials: Polycarbonate body and phosphor bronze contacts

COUNTRY OF ORIGIN

USA

WARRANTY INFORMATION

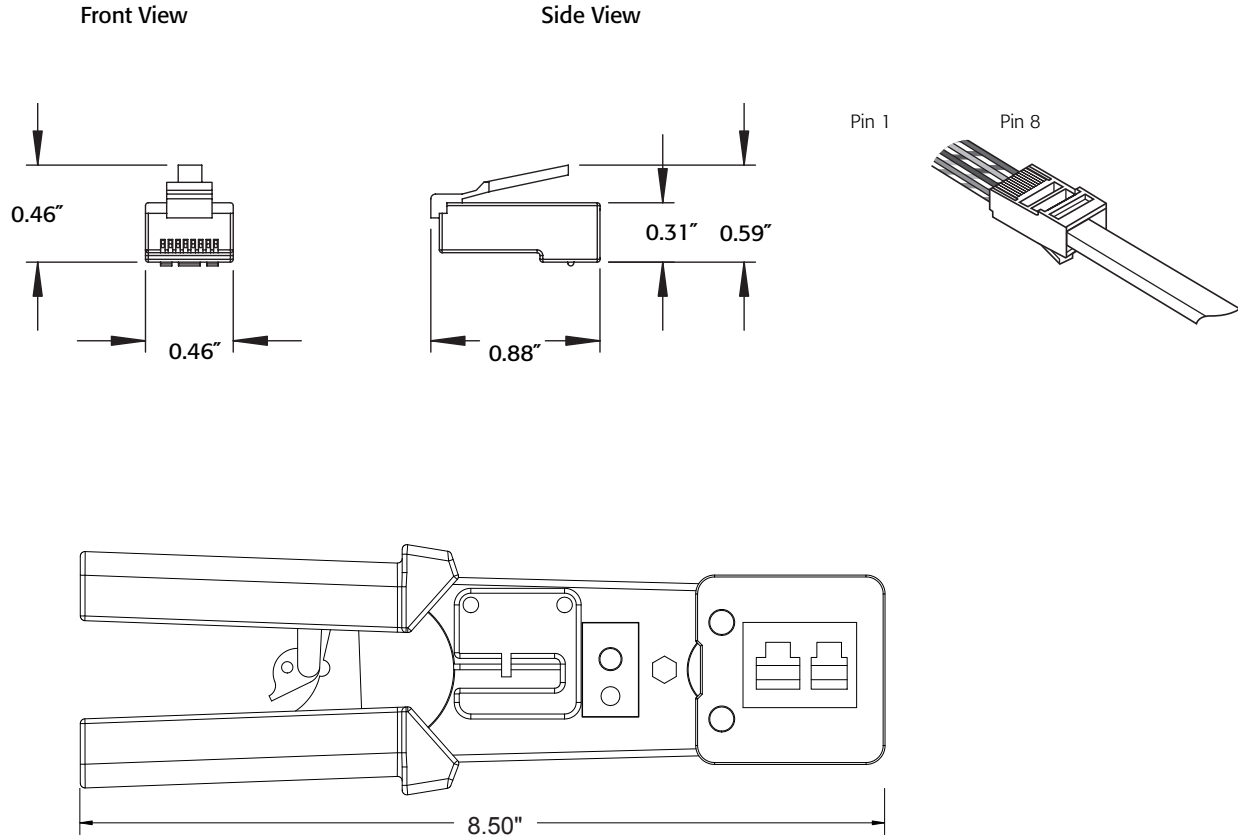
For a copy of Leviton product warranties, visit www.leviton.com/warranty.



EZ-RJ45 Crimp Tool

ELECTRONIC FILES

For CAD files, typical specs, or technical drawings (.DXF, .DWG), visit www.leviton.com.



47613-EZx, 40989-ACT

PART NUMBERS

Description	Part No.
EZ-RJ45® Cat 5e Plug	47613-EZC
EZ-RJ45 Cat 5e Plug	47613-EZR
EZ-RJ45 Crimp Tool	40989-ACT

Note: EZ-RJ45 is a trademark of SullStar Technologies, Inc.

