

DSX-1 Traditional (Non-Modular) Bantam Jack Panels

Rear Cross-Connect

Rear cross-connect DSX-1 panels are appropriate for central office environments where the jacks and LEDs are accessed in the front, while the cross-connect and IN/OUT equipment fields are in the rear. These panels can be used for DS1 (1.544 Mbps), E1 (2.048 Mbps) and DS1C (3.152 Mbps) digital rates.

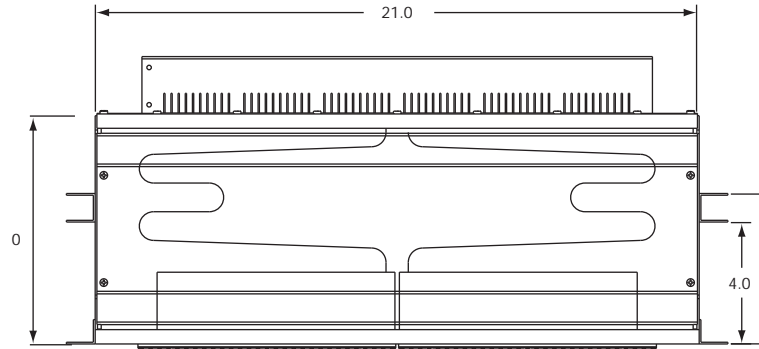
23 Inch Panel



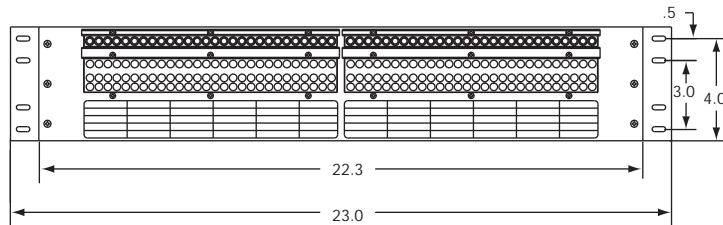
Best 56C
Front View



Best 56C
Rear View

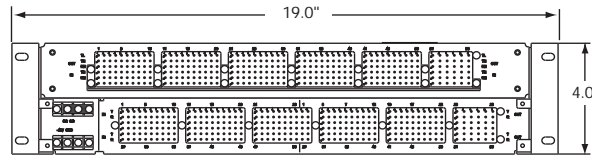


BEST 56C (Top View)

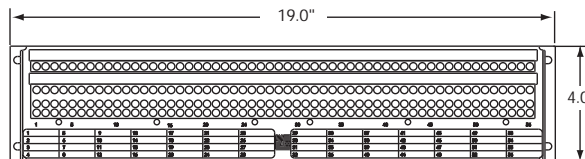


BEST 56C (Front View)

19 Inch Panel



DSX-BEST 56/19 (Front View)



DSX-BEST 56/19 (Rear View)

www.incom.mx telemarketing@incom.mx
Tel. (55) 5243-6900 800-INCOM-00



DSX-1 Traditional (Non-Modular) Bantam Jack Panels

Rear Cross-Connect

Common Features

- Various density Bantam Jack Panels in 23" and 19" panel widths
- Wire-wrap cross-connects are located on the rear of the panel
- Chassis have dual format (EIA/WECO) mounting brackets
- Red LEDs

23 Inch Panels

| Ordering Information | | | | | | |
|----------------------|-------------|-----------------------------------------|--------------------------------|----------------------------------------------------|-------|--------------------|
| Circuit Density | Designation | Dimensions (H x W x D) | Vertical Jumper Rings | Mounting Options | Color | Catalog Number |
| 84 | 1-28ABC | 5 x 23 x 10" (12.7 x 58.4 x 25.4 cm) | (2) 4 x 4" (10.2 x 10.2 cm) | Flush, 2, 3, or 4" recess (5.0, 7.6 or 10.2 cm) | Putty | D1M-1B0004 |
| 84 | 1-84 | 5 x 23 x 10" (12.7 x 58.4 x 25.4 cm) | (2) 4 x 4" (10.2 x 10.2 cm) | Flush, 2, 3, or 4" recess (5.0, 7.6 or 10.2 cm) | Putty | D1M-1B0005 |
| 84 | 1-28ABC | 5 x 23 x 10" (12.7 x 58.4 x 25.4 cm) | (2) 4 x 4" (10.2 x 10.2 cm) | Flush, 2, 3, or 4" recess (5.0, 7.6 or 10.2 cm) | Black | D1M-1B0011 |
| 84 | 1-84 | 5 x 23 x 10" (12.7 x 58.4 x 25.4 cm) | (2) 4 x 4" (10.2 x 10.2 cm) | Flush, 2, 3, or 4" recess (5.0, 7.6 or 10.2 cm) | Black | D1M-1B0006 |
| 64 | 1-32AB | 4 x 23 x 8" (10.2 x 58.4 x 20.2 cm) | (2) 4 x 4" (10.2 x 10.2 cm) | Flush, 4 or 5" recess (10.2 or 12.7 cm) | Black | DSX-BEST-64 |
| 64 | 1-64 | 4 x 23 x 8" (10.2 x 58.4 x 20.2 cm) | (2) 4 x 4" (10.2 x 10.2 cm) | Flush, 4 or 5" recess (10.2 or 12.7 cm) | Black | DSX-BEST-64A |
| 60 | 1-30AB | 4 x 23 x 8" (10.2 x 58.4 x 20.2 cm) | (2) 4 x 4" (10.2 x 10.2 cm) | Flush, 4 or 5" recess (10.2 or 12.7 cm) | Black | DSX-BEST-60 |
| 60 | 1-60 | 4 x 23 x 8" (10.2 x 58.4 x 20.2 cm) | (2) 4 x 4" (10.2 x 10.2 cm) | Flush, 4 or 5" recess (10.2 or 12.7cm) | Black | DSX-BEST-60/01 |
| 56 | 1-28AB | 4 x 23 x 8" (10.2 x 58.4 x 20.2 cm) | (2) 4 x 4" (10.2 x 10.2 cm) | Flush, 4 or 5" recess (10.2 or 12.7cm) | Black | DSX-BEST-56C |
| 56 | 1-56 | 4 x 23 x 8" (10.2 x 58.4 x 20.2 cm) | (2) 4 x 4" (10.2 x 10.2 cm) | Flush, 4 or 5" recess (10.2 or 12.7cm) | Black | DSX-BEST-56 |

19 Inch Panels

| Ordering Information | | | | | | |
|----------------------|-------------|-------------------------------------------|-------------------------------------|------------------------------------------|-------|----------------|
| Circuit Density | Designation | Dimensions (H x W x D) | Vertical Jumper Rings | Mounting Options | Color | Catalog Number |
| 64 | 1-32AB | 7 x 19 x 8" (17.8 x 48.3 x 20.3 cm) | (4) 2.25 x 4.87" (5.3 x 12.4 cm) | Flush 2 or 4" recess (5.0 or 10.2 cm) | Black | D1M-1D2005 |
| 64 | 1-64 | 5.25 x 19 x 8" (13.3 x 48.3 x 20.3 cm) | (2) 4 x 4" (10.2 x 10.2 cm) | Flush 2 or 4" recess (5.0 or 10.2 cm) | Black | D1M-1D2001 |
| 56 | 1-28AB | 7 x 19 x 8" (17.8 x 48.3 x 20.3 cm) | None | Flush 4" or recess (10.2 cm) | Black | DSX-DR19-RX |
| 56 | 1-56 | 4 x 19 x 8" (10.2 x 48.3 x 20.3 cm) | (2) 4 x 4" (10.2 x 10.2 cm) | 4" recess (10.2 cm) | Black | DSX-BEST-56/19 |

www.incom.mx telemarketing@incom.mx
Tel. (55) 5243-6900 800-INCOM-00

